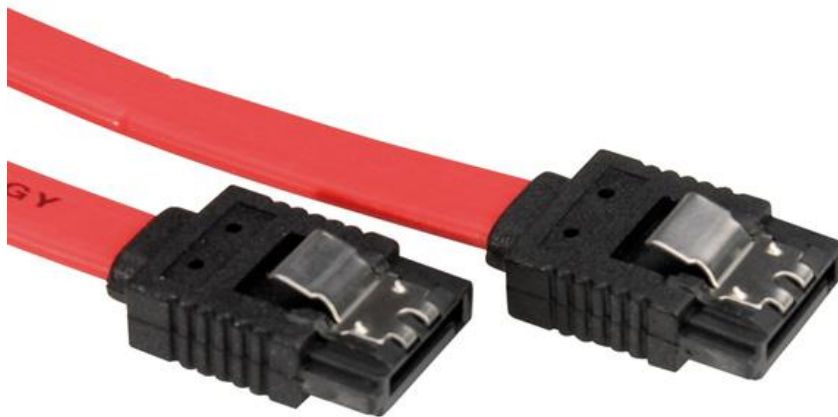




Datenblatt - Fiche technique - Data sheet

11.99.1550



VALUE Internes SATA 6.0 Gbit/s HDD-Kabel mit Schnappverschluss, 0,5m

VALUE Câble SATA 6.0 Gbit/s pour disques durs, fermoir à cliquet, 0,5 m

VALUE Internal SATA 6.0 Gbit/s Cable with Latch, 0.5 m

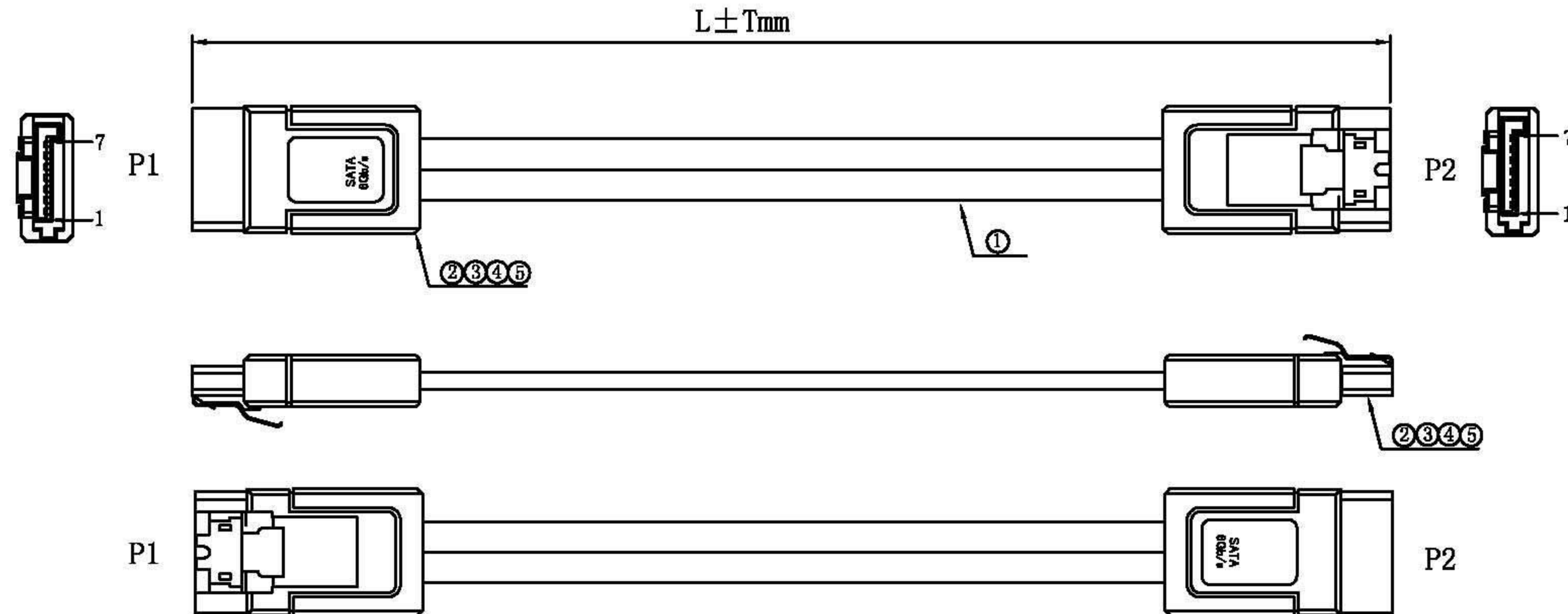
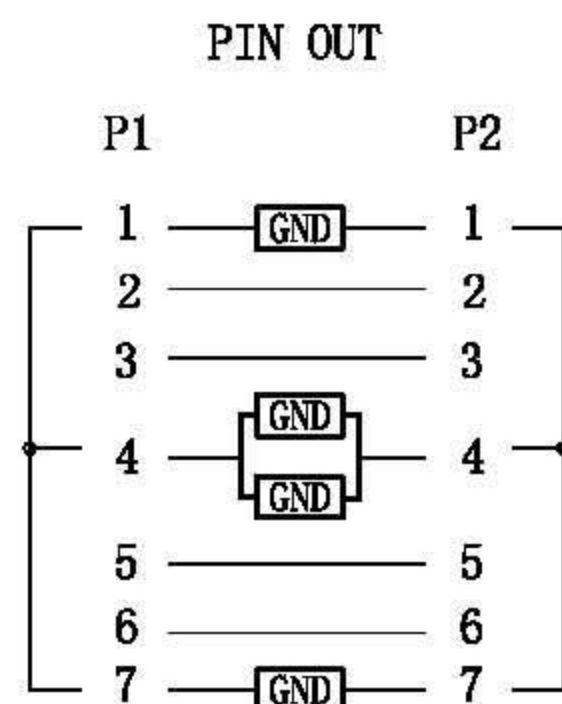


Chart:

ITEM NO	LENGTH
11.99.1550	500 ± 10mm
11.99.1551	1000 ± 30mm



NOTE:

1 High Frequency Characteristic:

- 1.1 Impedance: 100 ± 15 ohm (Mated Connector)
- 1.2 Impedance: 100 ± 15 ohm (Cable absolute impedance)
- 1.3 Attenuation: 6 dB Max. (10MHz-4500MHz)
- 1.4 Crosstalk (NEXT): -26 dB Max. (10MHz-4500MHz)
- 1.5 Intra Pair Skew: 10 ps Max.
- 1.6 Rise Time: 85 ps Max.
- 1.7 Common Mode Impedance: 25 to 40 ohm.
- 1.8 Cable Pair Matching: ± 5 ohm.

2 Cable Assembly Test Condition:

- 2.1 100% OPEN SHORT & MISWIRE TEST
- 2.2 Insulation Resistance: 20M ohm/MIN
- 2.3 Contact Resistance: 1 ohm/MAX
- 2.4 Hipot Test : DC 300V/0.1Sec

3 Mating and unmating spec:

- 3.1 Insertion force: 45N MAX
- 3.2 Unmating static load force: 25N
- 4 6Gbit/s, downwards compatible to 3Gbit/s and 1,5Gbit/s
- 5 RoHS & REACH Compliant
- 6 PACKING: 1PCS/PE BAG+LABEL

MATERIAL LIST:

NO.	PARTS NAME	SPECIFICATION DESCRIPTION	QT' Y	REMARK
⑤	Overmold	45P PVC BLACK	2PCS	
④	Innarmold	30P PVC BLACK	2PCS	
③	Latch	SATA 7P Latch	2PCS	
②	Connector	Serial ATA 7pin Crimping Type Gold flash , 180° plug, PBT Black	2PCS	
①	CABLE	26AWG(1/0.40TC*2C+AL)*2+28AWG(1/0.32TC)*4D 8C OD: 7.6 #2.2mm JACKET: PVC/Red	1PCS	

Rotronic Co., Ltd.			
VALUE Int. SATA 6.0 Gbit/s Cable, latch, red			
Item No.:	see the chart		

BY	CHK	REVISION RECORD MODIFICATIONS	DATE	REV.	DRAWNBY	CHECKBY	APPOBY	DATE	UNIT	MM
		NEW	2011-09-26	A						
								2011-09-26		