



Datenblatt - Fiche technique - Data sheet

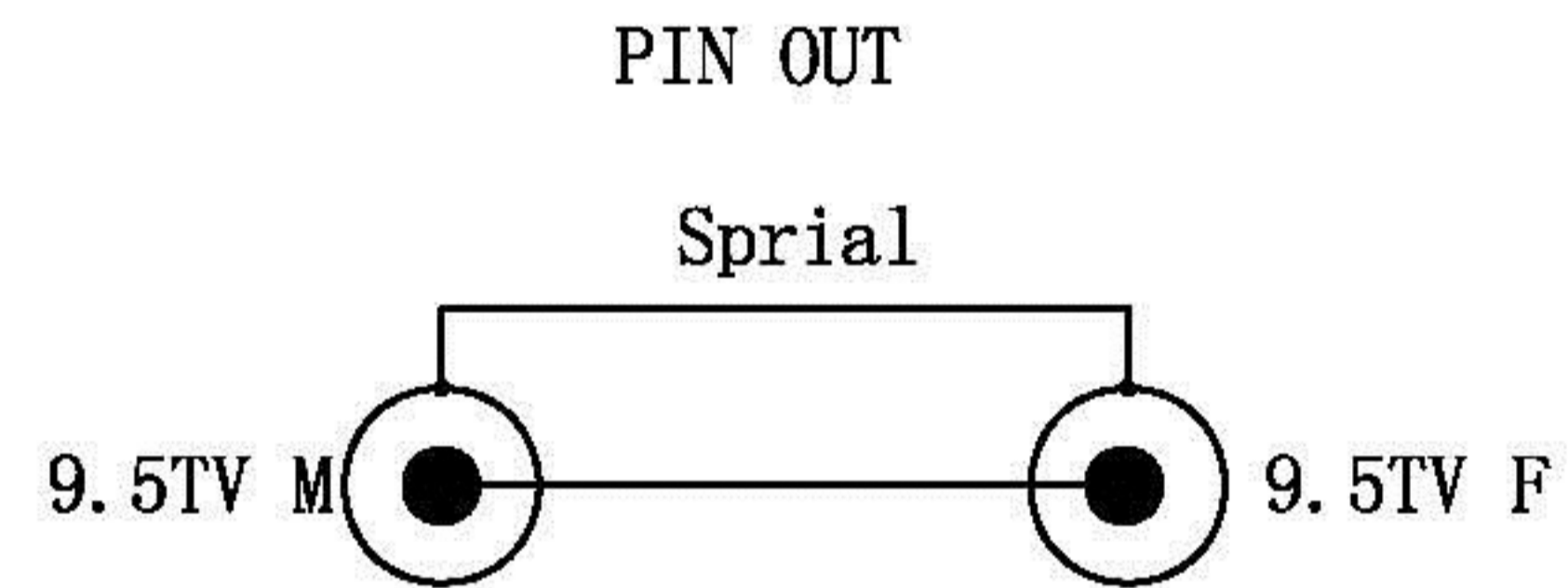
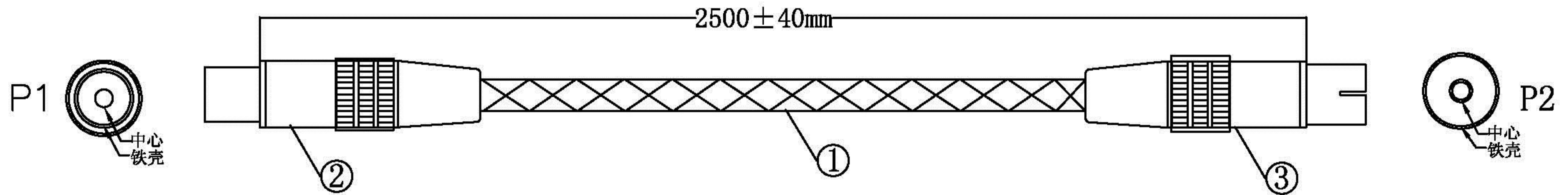
11.09.4243



ROLINE GOLD Antennenkabel Stecker / Buchse, 2,5m

ROLINE GOLD Câble d'antenne M / F, 2,5m

ROLINE GOLD Antenna Cable, Male - Female, 2.5m



Electrical Test:

1. 100%Test(Open ,short ,miss wire)
2. Contact Resistance: 10 ohm Max
3. Insulation Resistance: 10M ohm Min
4. Hi-Pot: 100V DC/10ms

REV.	TOLERANCE		DESCRIPTION	DATE
	INCHES	M/M	Rotronic Co., Ltd.	
.X	.015	.30		
.XX	.010	.10		
.XXX	.005	.05	ROLINE Gold Antenna Cable, 75 Ohm, M-F, 2.5m	
DRAWN BY	JOE		CUSTOMER :	
CHECK BY			CUSTOMER P/N :	11.09.4243
APPD BY			SCALE	NONE
			UNIT	MM
			DATE	2012.10.08
			DRAWING NO:	REV A
				1/2

ON	DESCRIPTION	Q`TY	UNIT
3	TV9.5 F copper shell ,PIN TIN PLATED,SHELL GOLD PLATED,INSULATION:white(PLATED 24K GOLD)	1	SET
2	TV9.5 M copper shell ,PIN TIN PLATED,SHELL GOLD PLATED,INSULATION:white(PLATED 24K GOLD)	1	SET
1	3C-2V CABLE 1/0.52BA*1C+B(85% AL) OD:5.0MM BLACK + black/gold nylon	L	M