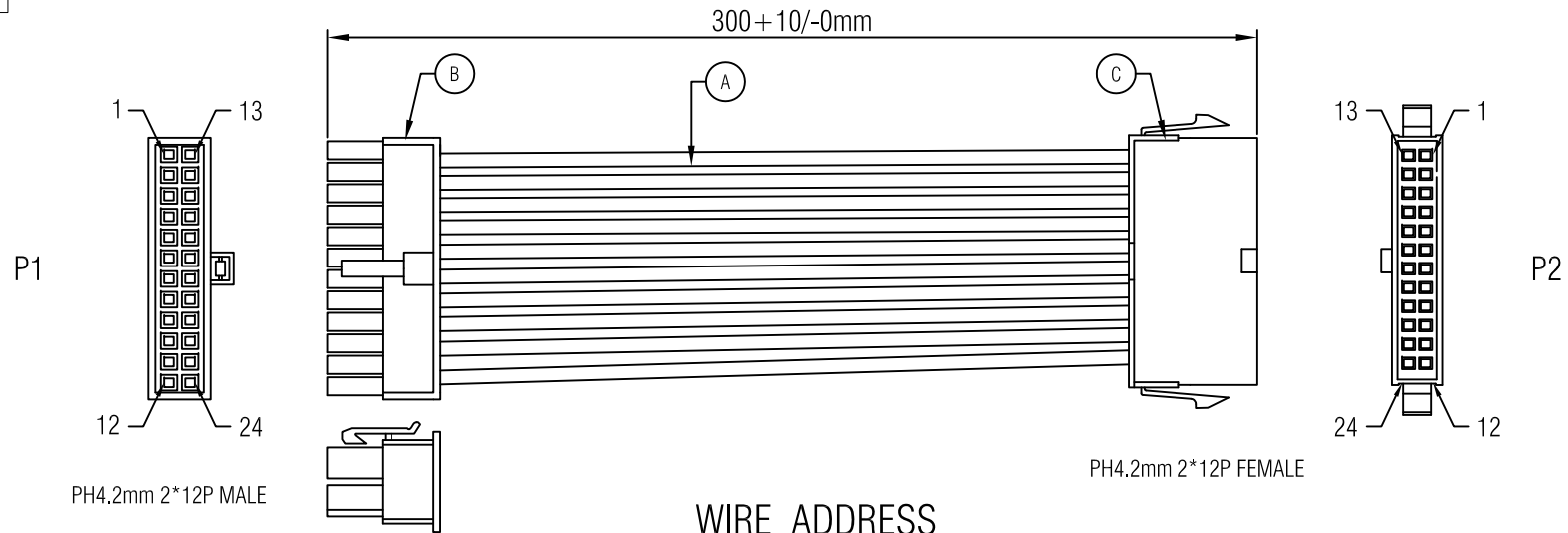


RoHS Compliant



WIRE ADDRESS

P1	P2	P1	P2
1 — ORANGE —	1	13 — ORANGE —	13
2 — ORANGE —	2	14 — RED —	14
3 — BLACK —	3	15 — BLACK —	15
4 — RED —	4	16 — GREEN —	16
5 — BLACK —	5	17 — BLACK —	17
6 — RED —	6	18 — BLACK —	18
7 — BLACK —	7	19 — BLACK —	19
8 — YELLOW —	8	20 — YELLOW —	20
9 — RED —	9	21 — RED —	21
10 — YELLOW —	10	22 — RED —	22
11 — YELLOW —	11	23 — RED —	23
12 — ORANGE —	12	24 — BLACK —	24

Electrical Test:

- 1.100% TEST OPEN SHORT MIS-WIRE.
- 2.CONTACT RESISTANCE:3Ω MAX.
- 3.INSULATION RESISTANCE:5MΩ MIN.
- 4.HI-POT:300V DC/10MS.

NUMBER	PRODUCT SPECIFICATIONS	Quantity	Unit
C	PH4.2mm 2*12P Housing Female color : transparent white with male terminal tin-plated	1	PCS
B	PH4.2mm 2*12P Housing Male color : transparent white with Female terminal tin-plated	1	PCS
A	UL1007 18AWG WIRE(Red*7PCS,Black*8PCS,Yellow*4PCS,Orange*4PCS,Green*1PCS)PVC JACKET		PCS

ROLINE ATX 2.0 Power Extension Cable, 24-pin		SECOMP
Item	11.03.1016	
Draw	<i>Andri</i> Date: 2022.09.13	
Approval		
Duty	F16 BOM.NO:	
Sample NO.	Drawings of 1(2) Proportion: 1:1 Unit(mm)	A4