

FEATURE HIGHLIGHTS

- FULL HD RESOLUTION
- 3,500 ANSI LUMENS
- BENQ BUSINESS LAUNCHER (UI)
- WIRELESS MIRRORING SUPPORTED (AIRPLAY™, CHROMECAST)
- USB READER

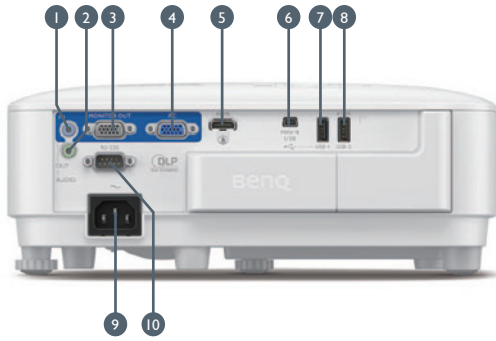


Product Specifications

| | | |
|--------------------------------|--|--|
| Articlenumber | 9HJLV77.1HE | |
| EAN Code | 471 8755 07990 0 | |
| Projection System | DLP | |
| Native Resolution | 1920 x 1080 Pixel, Full HD | |
| Brightness | 3,500 ANSI Lumens | |
| Contrast Ratio | 10,000 : 1 | |
| Display Color | 1.07 Mrd. | |
| Aspect Ratio | Native 16:9 (5 aspect ratio selectable) | |
| Projection Size | 70" ~ 150" | |
| Throw Ratio | 1,49 ~ 1,64 | |
| Zoom | 1, 1x | |
| Lens Control | Manual Focus | |
| Light Source Type | Lamp 200W | |
| Light Source Life * | Normal 5,000 hours / Eco 10,000 hours / SmartEco 10,000 hours / LampSave 15,000 hours | |
| Keystone Adjustment | ID, Vertical ± 40 degrees | |
| Projection Offset | 108% ± 2.5% (Full-Height) | |
| Resolution Support | VGA (640 x 480) to WUXGA_RB (1920 x 1200) | |
| Horizontal Frequency | 15K ~ 102 kHz | |
| Vertical Scan Rate | 23 ~ 120 Hz | |
| Compatibility | HDTV Compatibility | 480i, 480p, 576i, 576p, 720p, 1080i, 1080p |
| | 3D Compatibility | NTSC, PAL, SECAM |
| OS System | Android 6.0 | |
| Feature | Built-In smart system, BenQ Launcher, Hidden Wireless dingle, Bluetooth Audio out, Digital zoom(2x), Digital Shrink and Shift | |
| ROM / RAM | 1.6GB / 2GB | |
| Built-in Speaker | 2W x1 | |
| Weight | 2.5 kg | |
| Power Supply | Max 320W / Normal 280W / Eco 235W | |
| Standby Power Consumption | < 0.5W | |
| Power Supply | 100 ~ 240V AC, 50/60 Hz | |
| Product Dimensions (W x H x D) | 296 x 120 x 232 mm | |
| Audible Noise | normal 33 / eco 29 dBA | |
| Operating Temperature* | 0 ~ 40 degrees | |
| Security | Security Bar, Kensington lock | |
| On-Screen Display Languages | Arabic / Bulgarian / Croatian / Czech / Danish / Dutch / English / Finnish / French / German / Greek / Hindi / Hungarian / Italian / Indonesian / Japanese / Korean / Norwegian / Polish / Portuguese / Romanian / Russian / Simplified Chinese / Spanish / Swedish / Turkish / Thai / Traditional Chinese / Vietnamese / Farsi (30 Languages) | |
| Accessories | Standard | Optional |
| | Remote Control with Battery | Spare Lamp Kit |
| | Power Cord (by region) | 3D Glasses |
| | Quick Start Guide | |
| | Warranty Card (by region) | |
| | Wireless Dongle:WDR02U | |
| Guarantee | 36 month | |

* Lamp life results will vary depending on environmental conditions and usage. Actual product's features and specifications are subject to change without notice.

Input and Output Terminals



- 1 Audio in (Mini Jack)
- 2 Audio out (Mini Jack)
- 3 Monitor output (D-sub 15pin)
- 4 PC (D-sub 15pin)
- 5 HDMI
- 6 USB (Typ B mini)
- 7 USB (Typ A)
- 8 USB (Typ A)
- 9 AC Power Kabel
- 10 RS232 input (D-sub 9pin)

Dimensions

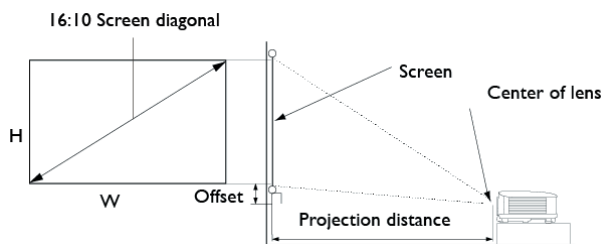
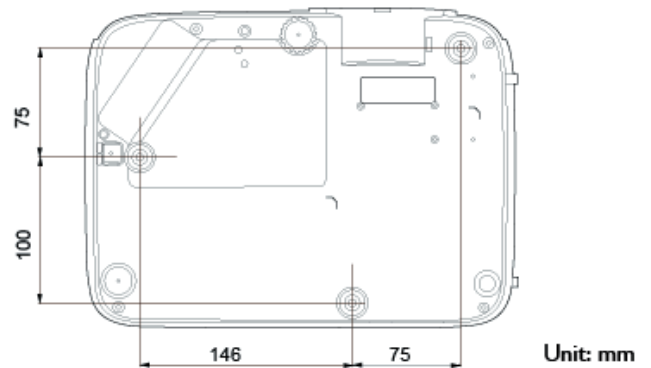


Distance Chart

| Screen Size | | | | Projektions Distanz (mm) | | | Offset |
|-------------|------|-------------|------------|---------------------------|---------|---------------------------|--------|
| Diagonal | | Height (mm) | Width (mm) | Min distanz (max zoom) mm | Average | Max distanz (min zoom) mm | |
| Inch | mm | | | | | | |
| 30 | 762 | 374 | 664 | 990 | 1039 | 1089 | 30 |
| 40 | 1016 | 498 | 886 | 1319 | 1386 | 1452 | 40 |
| 50 | 1270 | 623 | 1107 | 1649 | 1732 | 1815 | 50 |
| 60 | 1524 | 747 | 1328 | 1979 | 2079 | 2178 | 60 |
| 70 | 1778 | 872 | 1550 | 2309 | 2425 | 2541 | 70 |
| 80 | 2032 | 996 | 1771 | 2639 | 2772 | 2905 | 80 |
| 90 | 2286 | 1121 | 1992 | 2969 | 3118 | 3268 | 90 |
| 100 | 2540 | 1245 | 2214 | 3299 | 3465 | 3631 | 100 |
| 110 | 2794 | 1370 | 2435 | 3628 | 3811 | 3994 | 110 |
| 120 | 3048 | 1494 | 2657 | 3958 | 4158 | 4357 | 120 |
| 130 | 3302 | 1619 | 2878 | 4288 | 4504 | 4720 | 130 |
| 140 | 3556 | 1743 | 3099 | 4618 | 4850 | 5083 | 139 |
| 150 | 3810 | 1868 | 3321 | 4948 | 5197 | 5446 | 149 |
| 160 | 4064 | 1992 | 3542 | 5278 | 5543 | 5809 | 159 |
| 170 | 4318 | 2117 | 3763 | 5608 | 5890 | 6172 | 169 |
| 180 | 4572 | 2241 | 3985 | 5937 | 6236 | 6535 | 179 |
| 190 | 4826 | 2366 | 4206 | 6267 | 6583 | 6898 | 189 |
| 200 | 5080 | 2491 | 4428 | 6597 | 6929 | 7261 | 199 |
| 250 | 6350 | 3113 | 5535 | 8246 | 8661 | 9077 | 249 |
| 300 | 7620 | 3736 | 6641 | 9896 | 10394 | 10892 | 299 |

Ceiling Mount Chart

Ceiling/Wall mount screw: M4
(Max L = 25 mm; Min L = 20 mm)



BenQ Europe B.V.

Meerenaekerweg 1-17
5652 AR Eindhoven
The Netherlands
Tel: +31 88 8889200

BenQ.eu

© 2021 BenQ Corp. Specifications may vary by region, please visit your local stores for details. Actual product's features and specifications are subject to change without notice. This material may include corporate names and trademarks of third parties which are the properties of the third parties respectively. Latest Update: 2021-06-23

BENQ